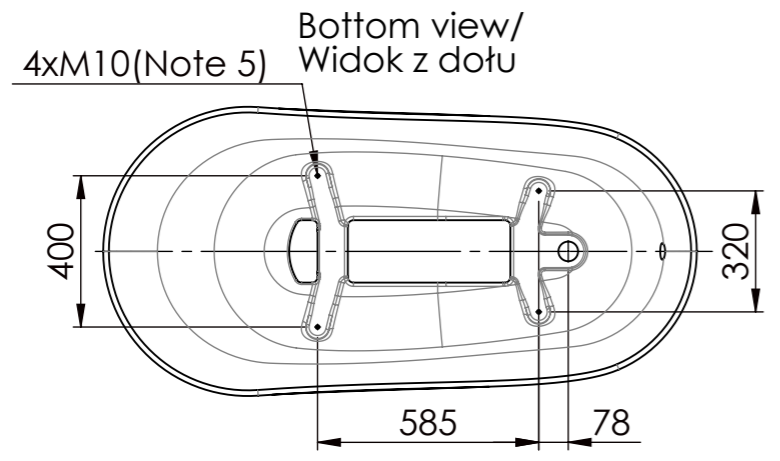
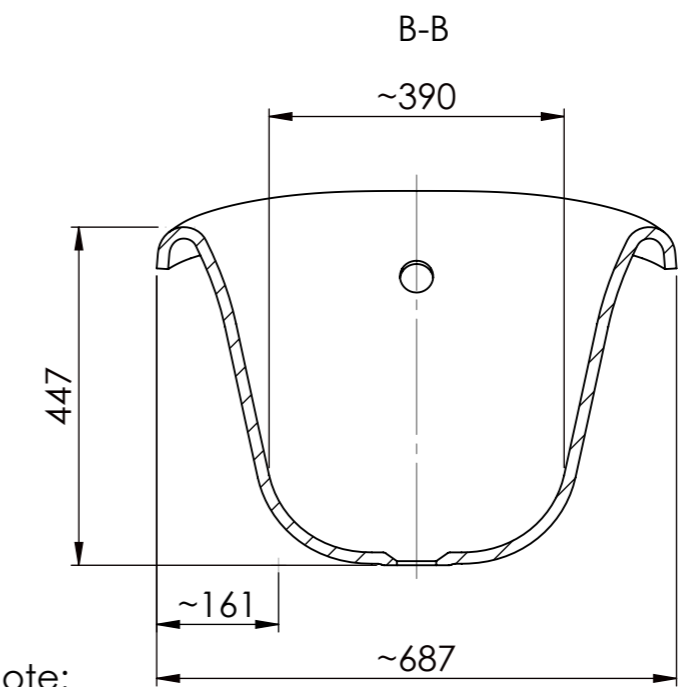
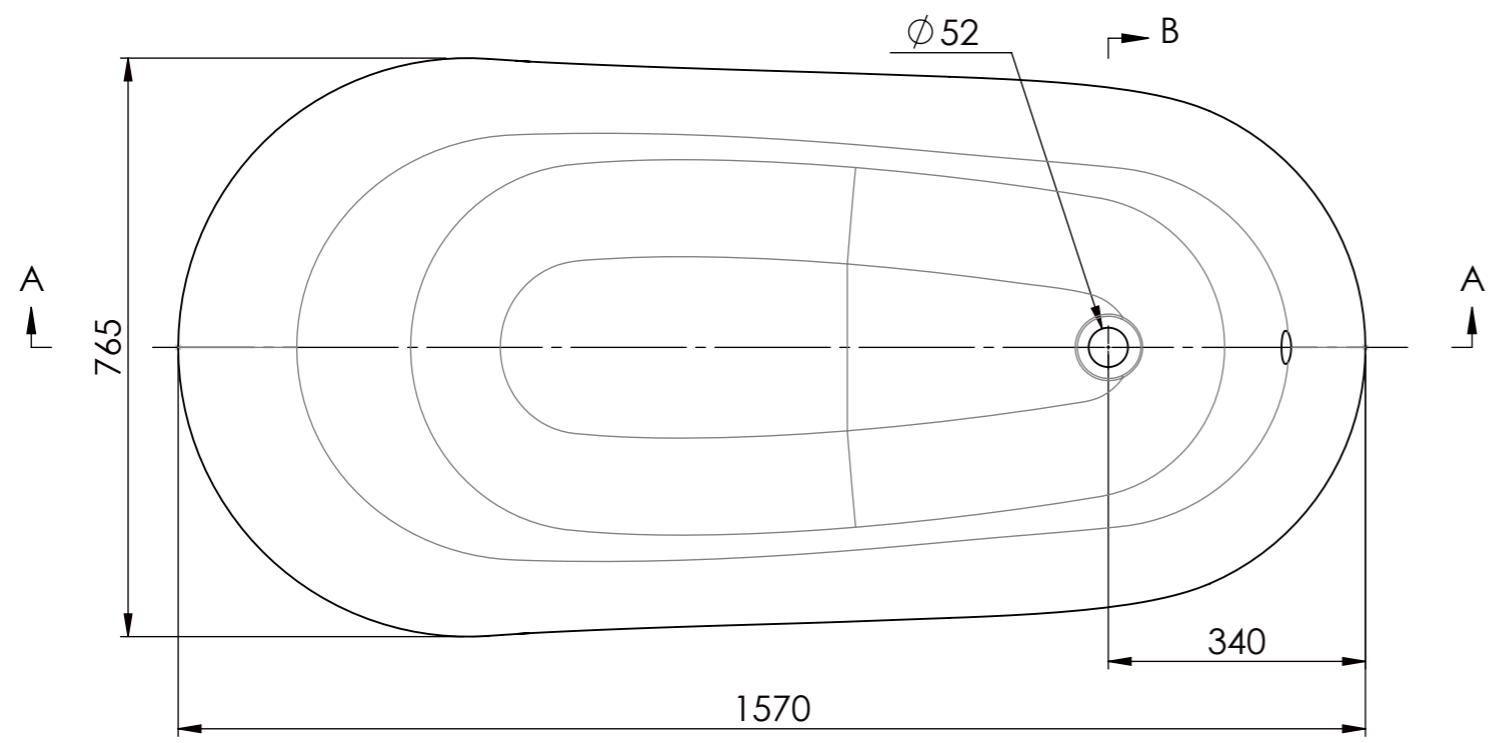
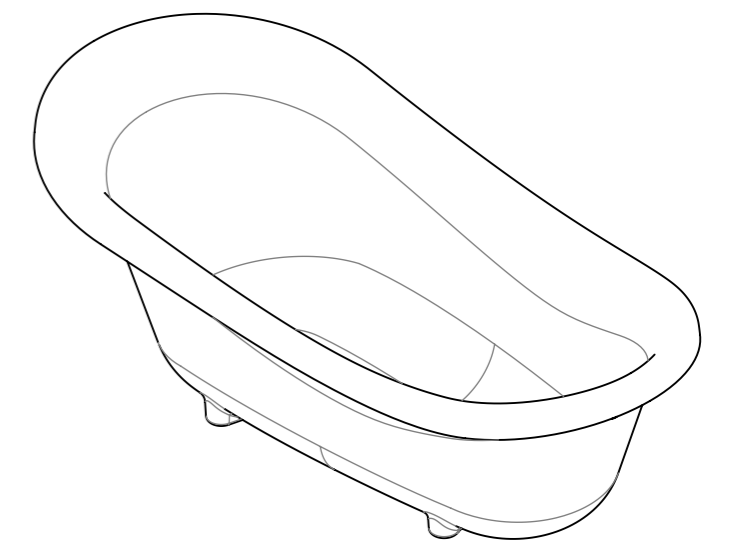
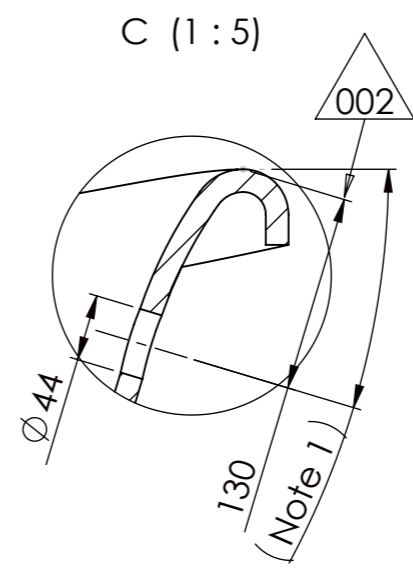
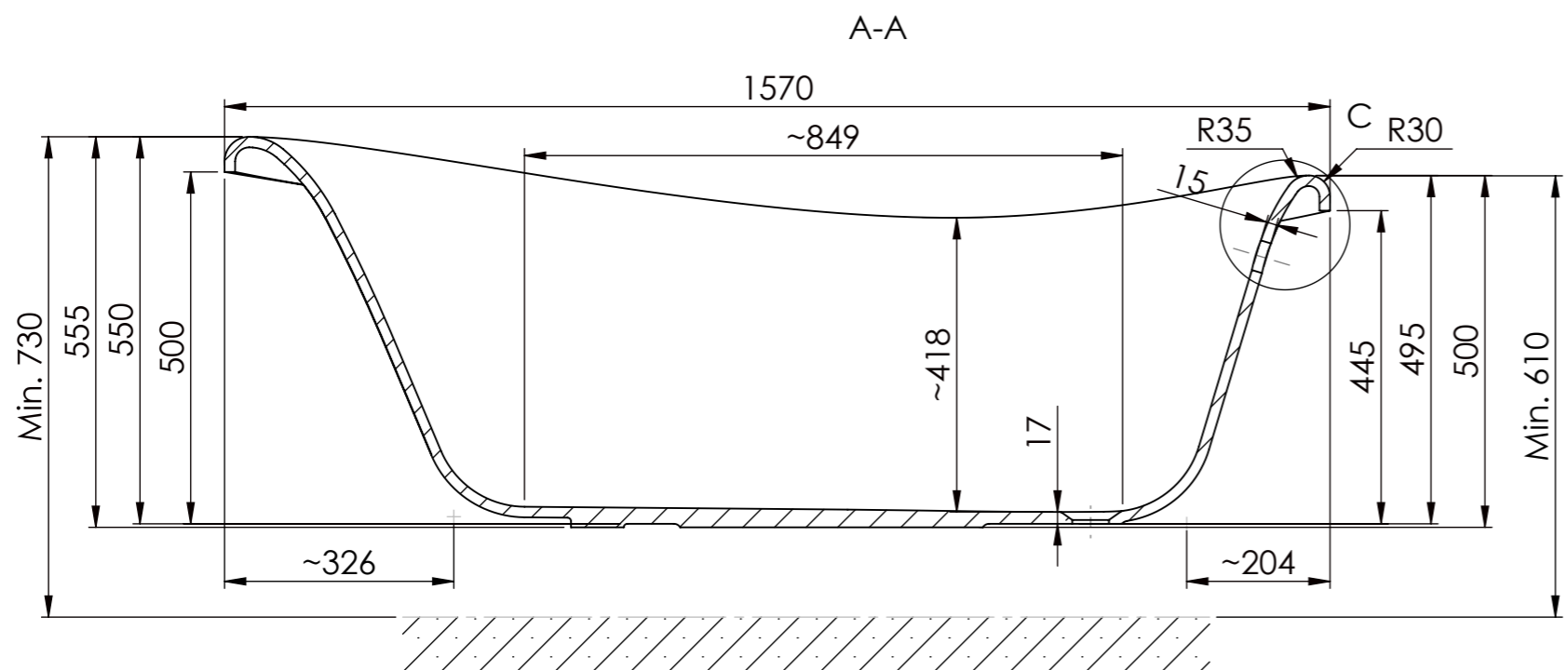


Rev	Design Change Note	Author	Date
001	First issue	DR	2006-11-07
002	Sheet updated, overflow hole position changed from 90mm to 130mm	ZP	2014-07-18



- Uwagi/Note:
- 1) Prostopadle do ścianki wanny/ normal to the wall of bath
  - 2) Water volume (full bathtub) 220 l / objętość wody (pełna wanna) 220 l
  - 3) Water volume (to overflow) 190 l / objętość wody ( do przelwu) 190 l
  - 4) Dokumentacja based on real product/ Dokumentacja stworzona na podstawie gotowego produktu
  - 5) Steel bearings/Metalowe kołki
  - 6) Śruba w zestawie nóżek daje możliwość regulacji w zakresie od 0 do 20 mm / Screw in the set of legs can be adjusted in the range from 0 to 20 mm

Tolerance length/width/height	+10/-10 mm	Drawn by	Created Date	Checked by	Art. Name: ROMANCE 1570			
Tol. plane bending	≤800 mm	+1,5/-1,5 mm	Dahmani R.	2004-04-29	Zbigniew P	Art. No: 6134801231xx		Mould No: F1180021
	>800 mm	+3/-3 mm	Project status	Client	Customer ID: 3366			
Tolerance holes location	+3/-3 mm	Approved	LEROY	Material volume [mm <sup>3</sup> ]	Overflow	Tap hole	Main dimensions L x W / H [mm]	Drain
Tolerance wall thickness	+1/-1 mm			32681030	Yes	0	1570 x 765 / 555	Regular
Tolerance feet location	+5/-5 mm			Surface area [mm <sup>2</sup> ]	Sheet Size	Scale		Current revision
				4214873	A3	1:10		002

This document must not be copied without our written permission, and the contents thereof must not be imparted to a third party nor be used for any unauthorized purpose. Contravention will be prosecuted.