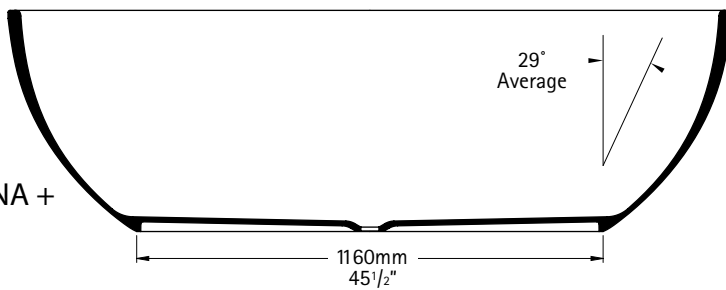
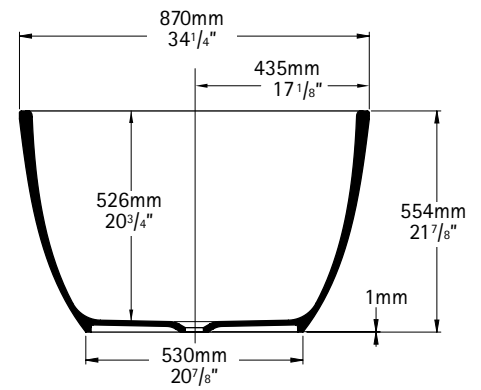


BARCELONA +
K12/K40

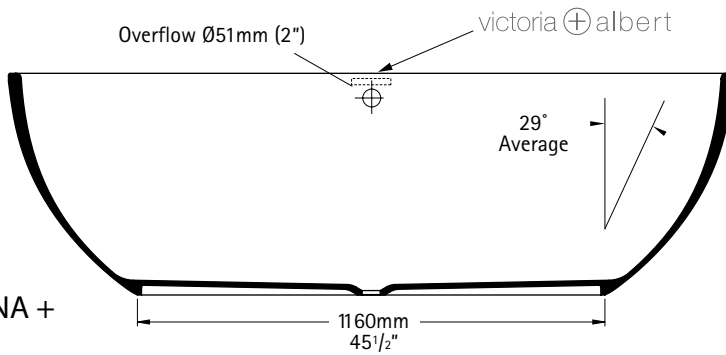


SECTION A-A

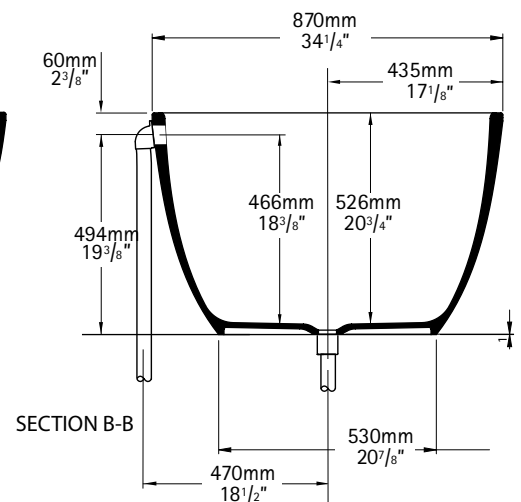


SECTION B-B

BARCELONA +
K17



SECTION A-A



SECTION B-B

