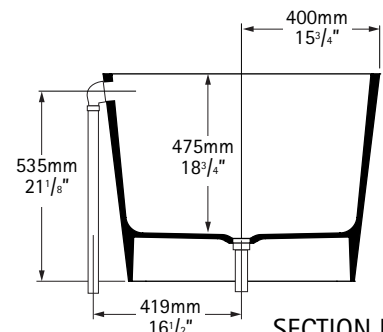
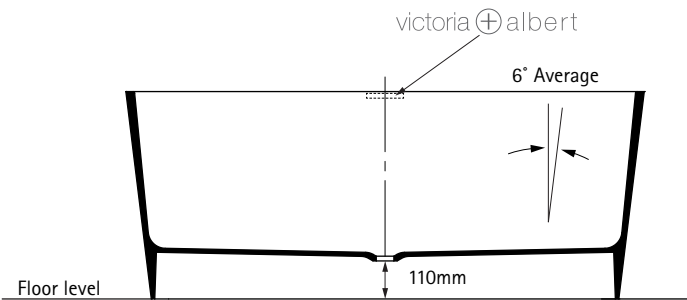


SECTION A-A

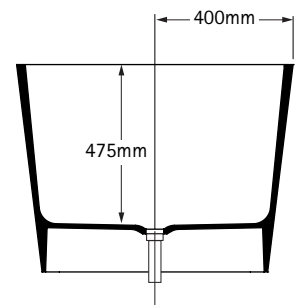


SECTION B-B

edge+K17

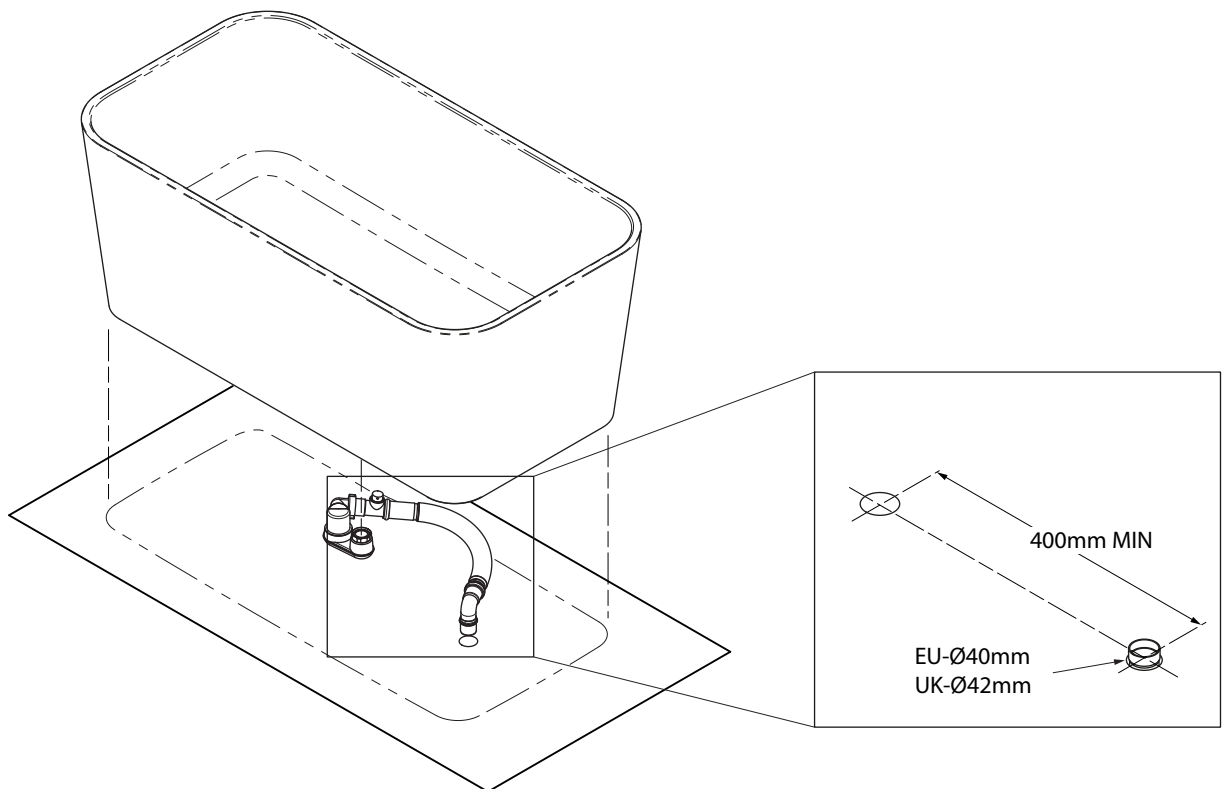
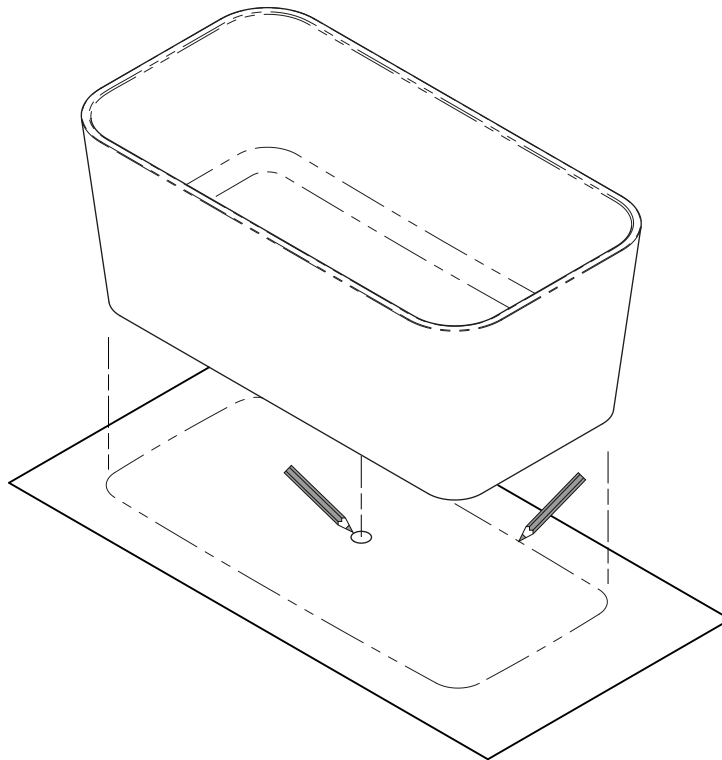


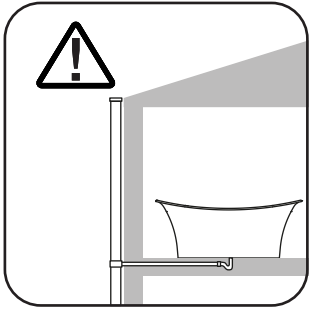
SECTION A-A



SECTION B-B

edge+K12/K40





EN: Must use a ventilated waste
 ES: El desagüe debe tener tubo de aspiración
 DE: Belüftete Hauptentwässerungsleitung notwendig
 IT: Deve essere usato uno scaico ventilato
 FR: Veiller à utiliser un système d'évacuation ventilé

Item	Description
1	Spanner
2	Plug access tool
3	Waste with overflow control
4	Sponge Washer Ø70x48x4
5	PVC Washer Ø70x48x5
6	PVC Washer Ø70x48x3
7	1 1/2" Brass Lock Nut
8	Flat Washer Ø40
9	Siphon
10	Air Admittance Valve
11	Flexible Pipe
12	Elbow Ø40mm
13	UK Adaptor Ø40 to Ø42mm
14	Ø120 x 1mm Silicone Cover

