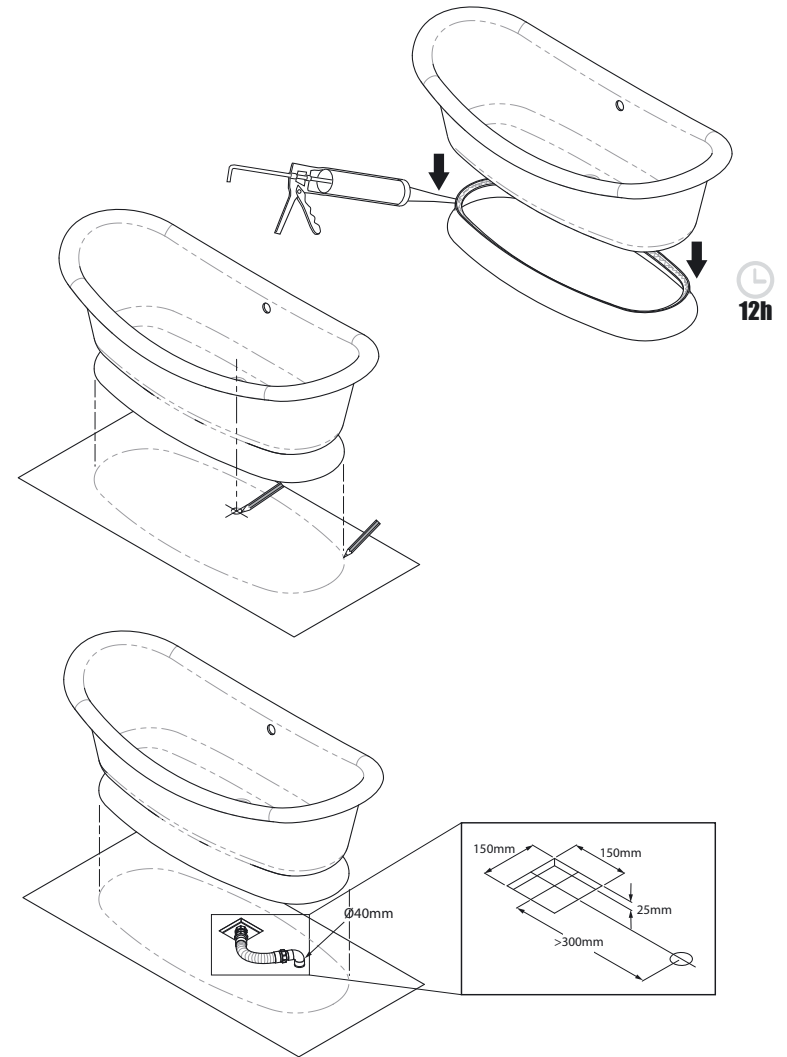


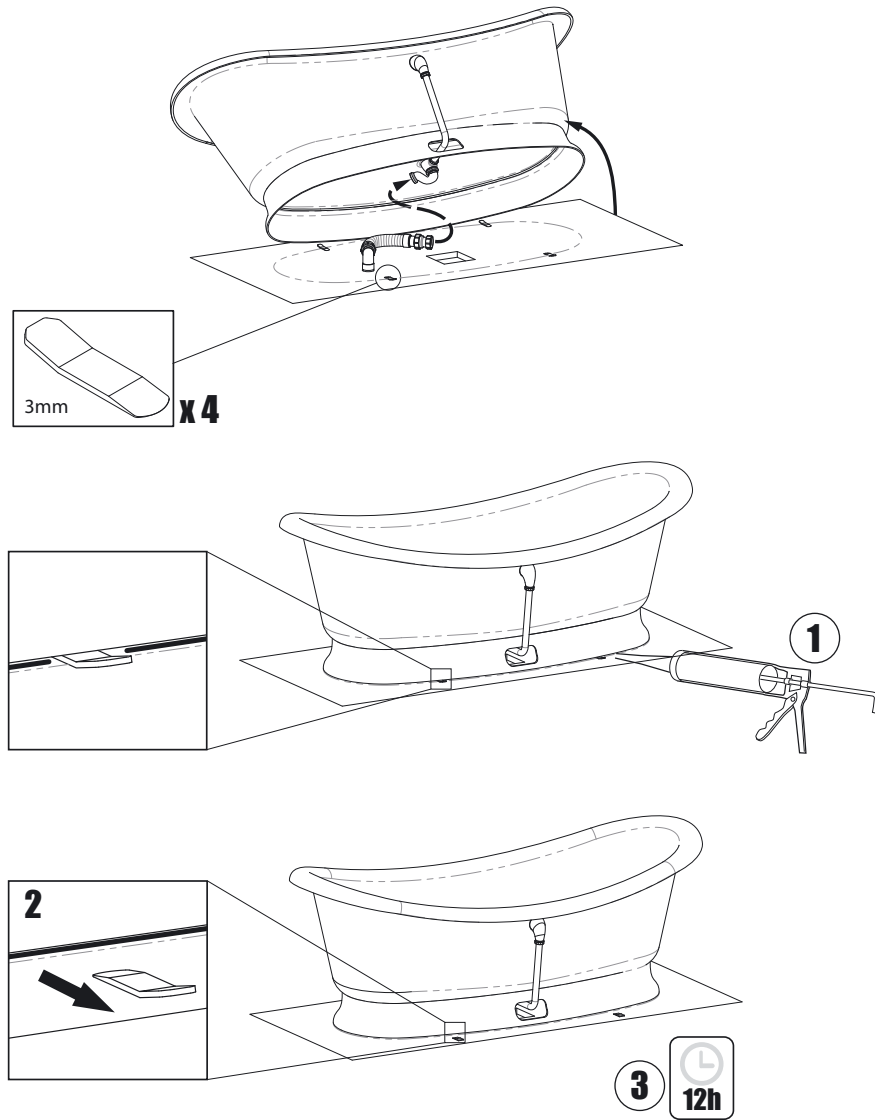
Marlborough **1**

MAR-1-1



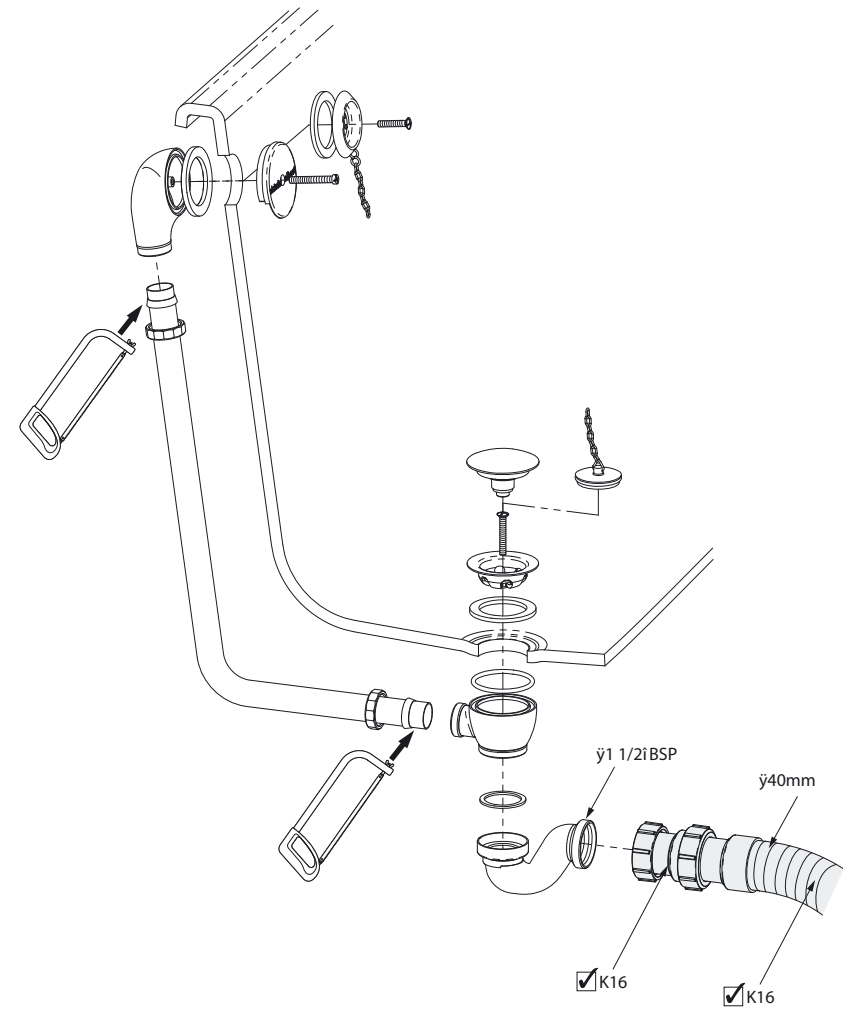
Marlborough **2**

MAR-1A-1



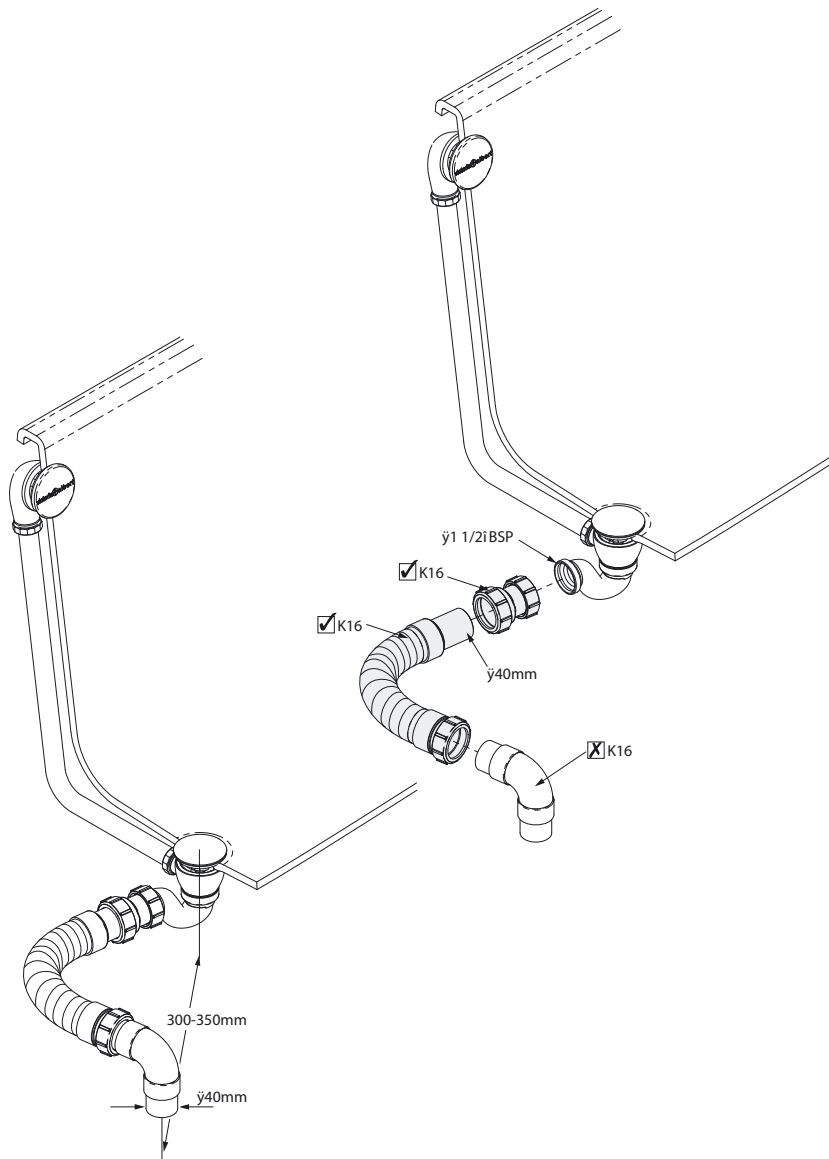
Marlborough **3**

MAR-1B-1



Marlborough **4**

MAR+K16-2A-1



Marlborough

5

MAR+K16-2A-1