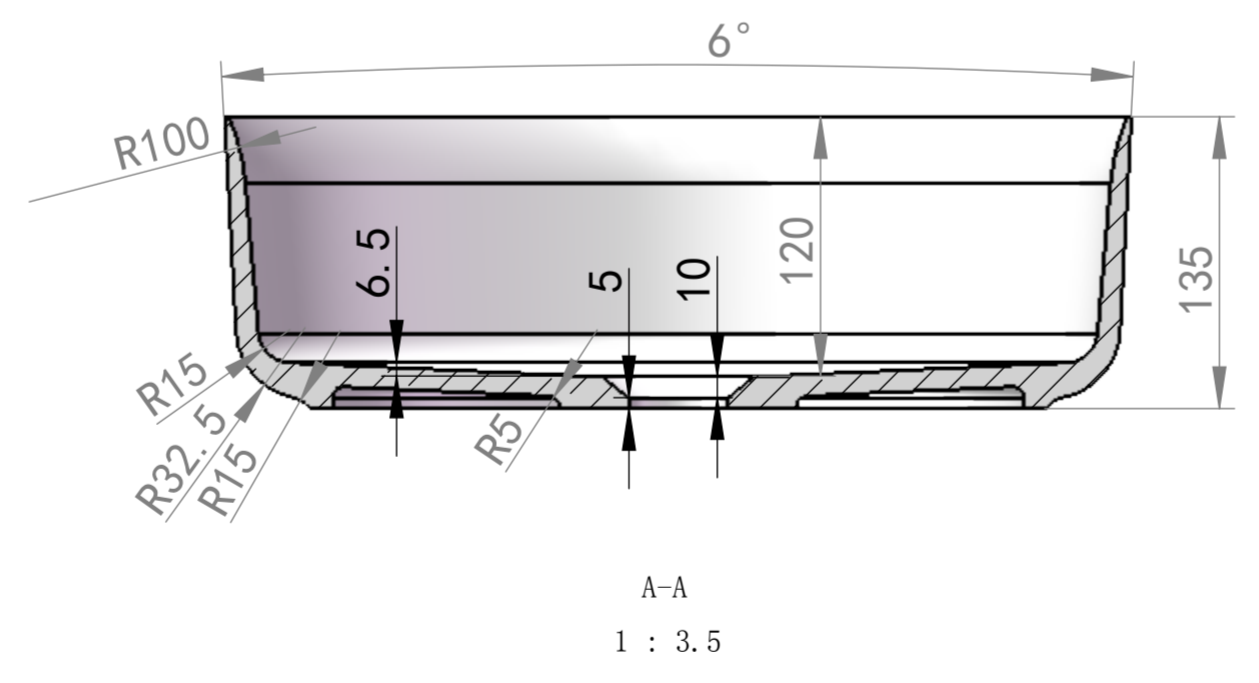
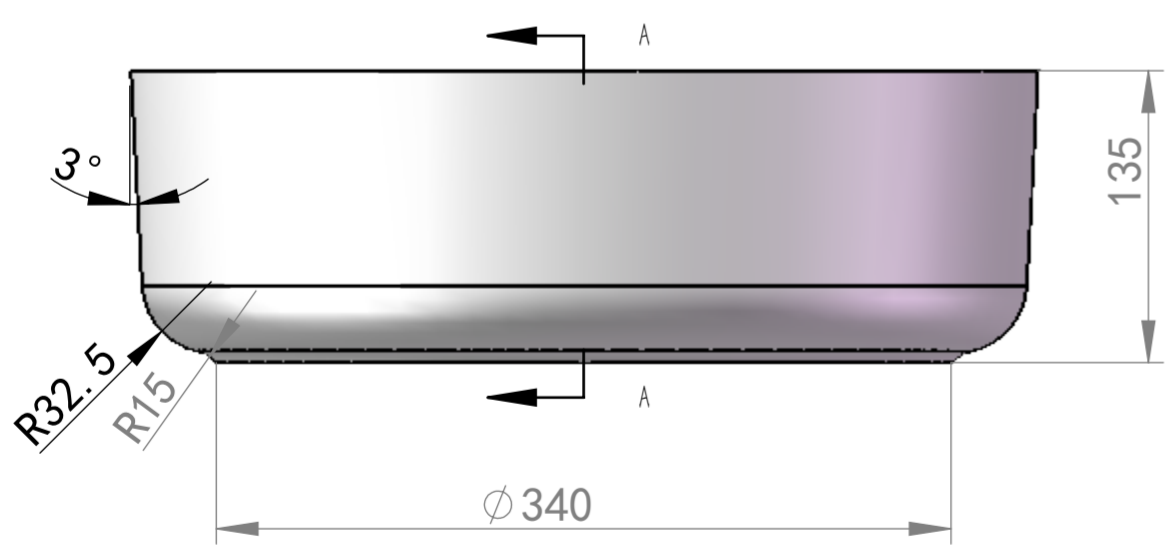
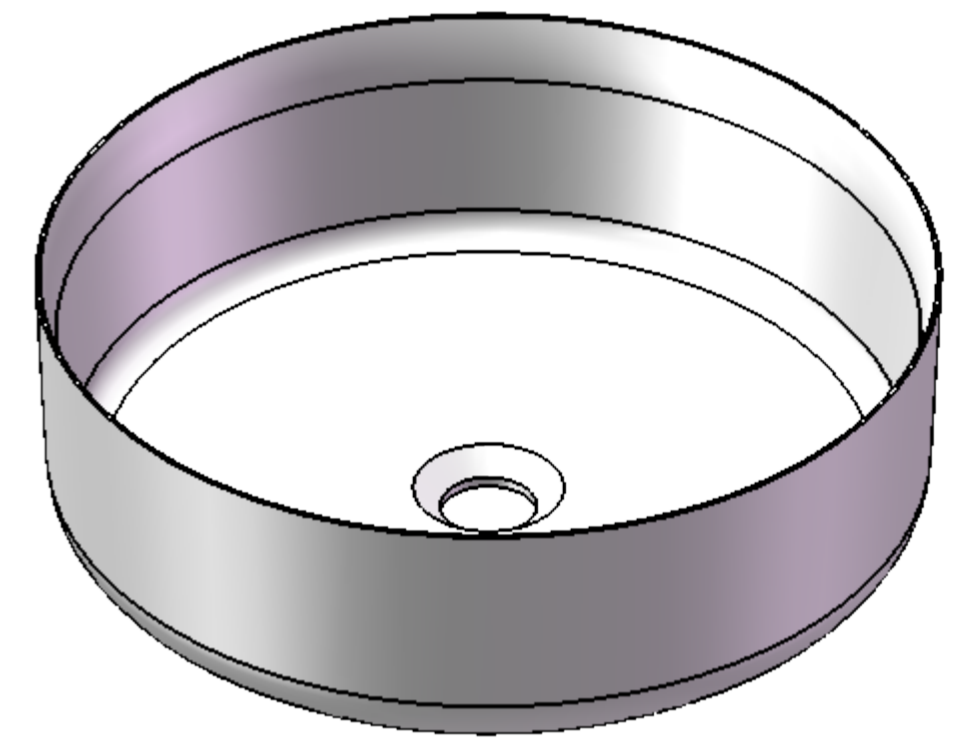
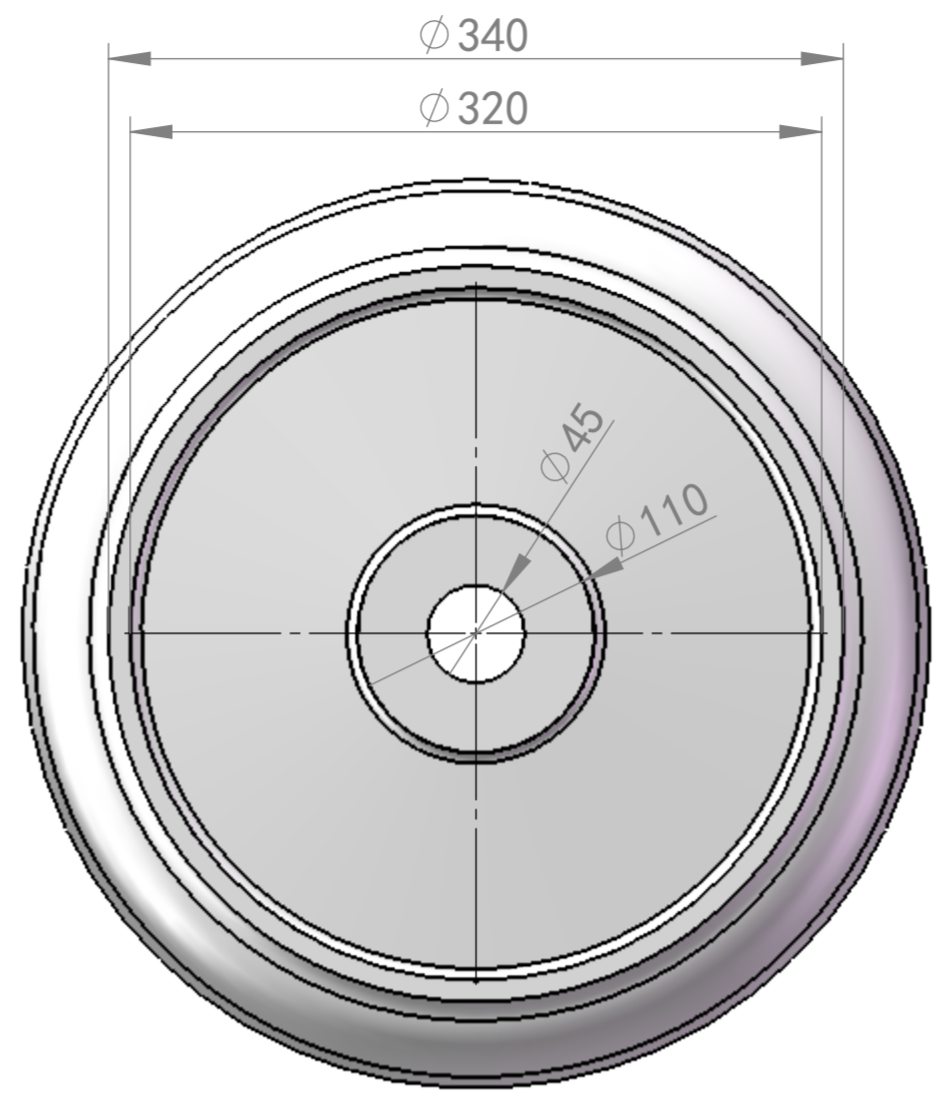
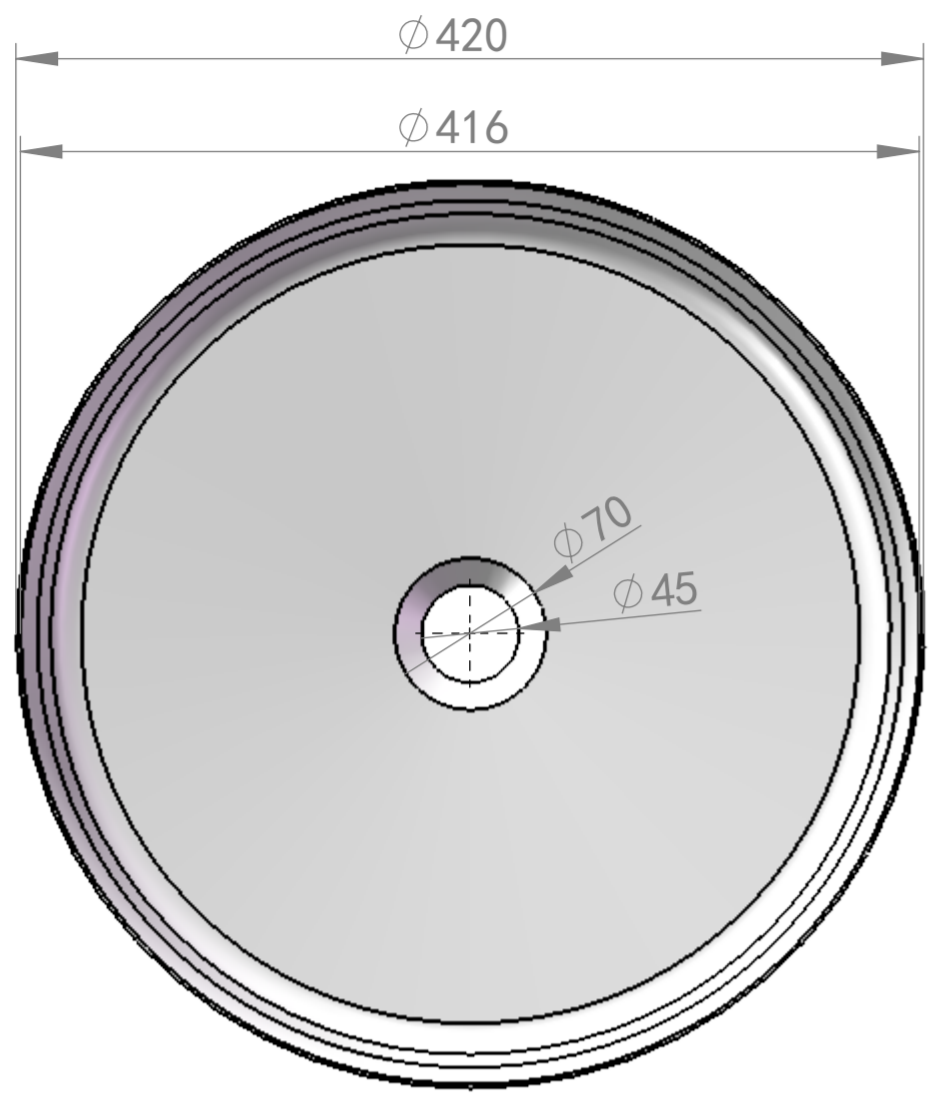


12 11 10 9 8 7 6 5 4 3 2 1

H
G
F
E
D
C
B
A

H
G
F
E
D
C
B
A



BS-8347

12 11 10 9 8 7 6 5 4 3 2 1